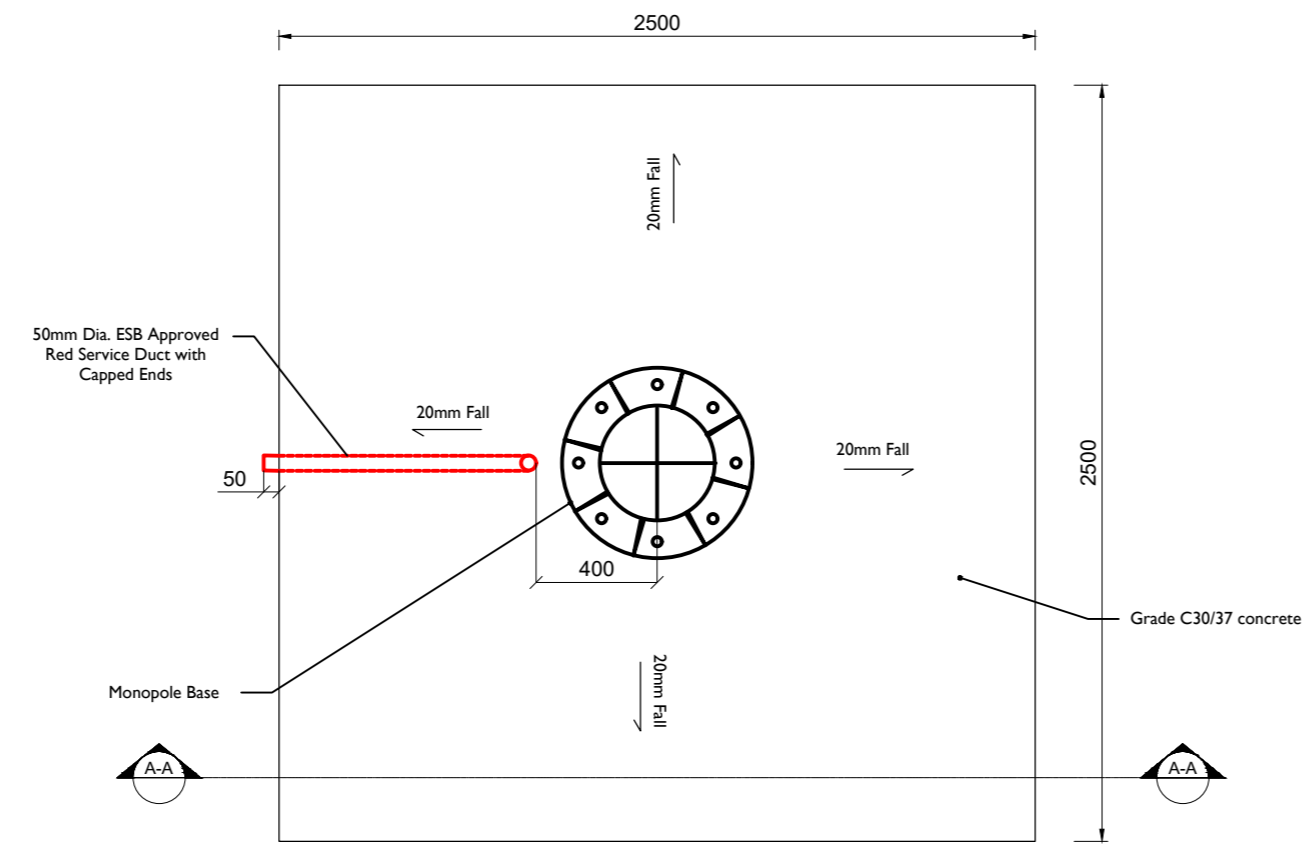
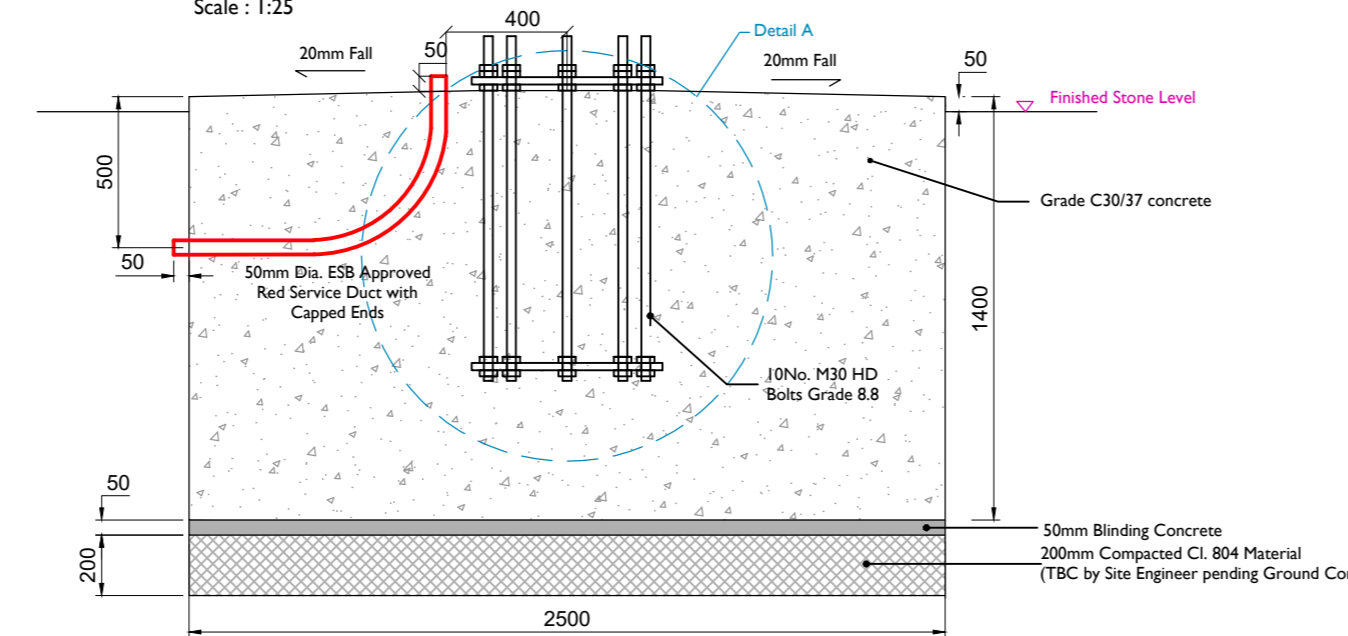


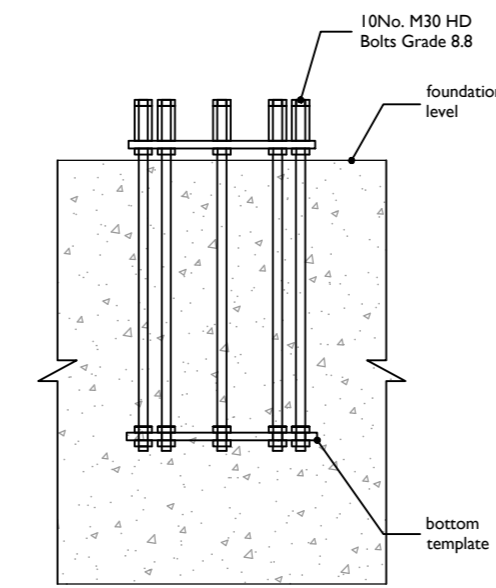
Detail based on Lamppost Construction ESB Specification 18m Lightning Monopole



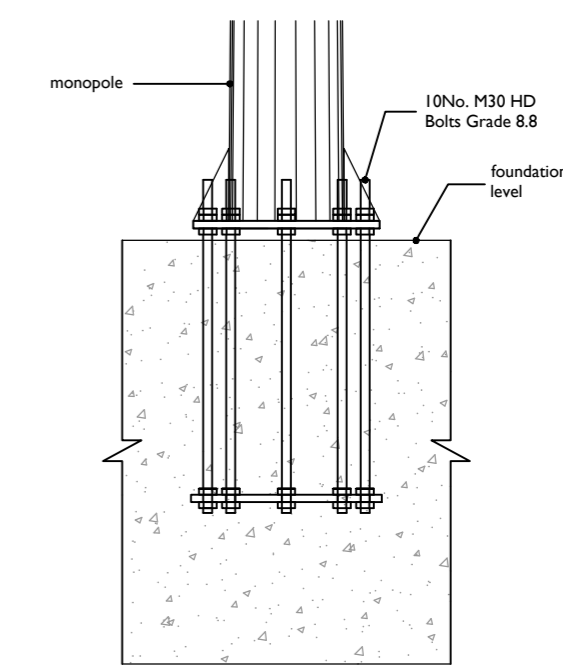
PLAN
Scale : 1:25



SECTION A-A: FOUNDATION DETAIL
Scale : 1:25

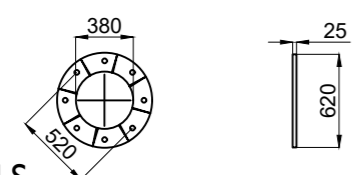


DETAIL A
Scale : 1:25



MONOPOLE BASE PLATE TO HDB CONNECTION
Scale : 1:25

MONOPOLE DETAILS
Scale : 1:50



GENERAL NOTES:

- ALL drawings to be read in conjunction with the Specification and all Engineers and Architects Drawings.
- All concrete to be in accordance with I.S. EN 206-1:2002 with the Mix Designs shown in Table 1
- Concrete finishes to be in accordance with Table 6.1 of the ESBI Specification CS17-SO1-005.
- ALL Reinforcement shall be in accordance with BS4449 and scheduled in accordance with BS.8666. 300mm Laps for A142 Mesh 600mm Min Laps for A393 Mesh.
- REFER ALWAYS TO RELEVANT EARTH GRID DRAWING PRIOR TO EXCAVATIONS & CONCRETE POURS
- GEOMETRICAL TOLERANCES TO BE IN ACCORDANCE WITH TABLE 6.2 OF ESBI SPECIFICATION CS17-SO1-005

FOUNDATION NOTES:

- Ground to have a minimum Bearing Capacity of 100 kN/m².
- Formation level and Foundations to be inspected and approved by the Engineer prior to any Concrete being poured.
- All Foundations are to be blinded immediately after excavation with 50mm of CI6/20 Concrete Blinding.
- Refer always to the relevant Earth Work Drawings prior to Excavations & Concrete pours.

- NOTES: -**
- This drawing is to be read in conjunction with relevant engineering drawings, specifications and reports
 - Dimensions are in millimeters, unless noted otherwise
 - Drawings are not to be scaled use figured dimensions only

LEGEND: -

ISSUE/REVISION

I/R	DATE	DESCRIPTION
P3	19.05.23	Issued for Planning
P2	15.03.23	Issued for Planning
P1	24.02.23	Issued for Planning

PROJECT NUMBER

05-868

SHEET TITLE

Baldonnell 110kV Substation
Lightning Monopole Details -
18m Mast

SHEET NUMBER

05868-DR-039